

# CORETEX™ SA13

## SELF ADHERED APC WATERPROOFING GEOTEXTILE

### DESCRIPTION

CORETEX SA13 is an adhesive backed version of CORETEX. CORETEX is a unique low permeable, hydrophilic waterproofing product that utilizes an Active Polymer Core (APC) technology that is less permeable and more chemically resistant than traditional active waterproofing membranes.

CORETEX SA13 works by forming a low permeable membrane upon contact with water. When hydrated, unconfined CORETEX SA13 can swell many times its dry volume. When confined under pressure from backfill or concrete, the swell is controlled, forming a dense, impervious waterproofing material. The swelling action of the CORETEX SA13 can self-seal small punctures and cuts in the product resulting from installation activity.

### APPLICATIONS

CORETEX SA13 is designed primarily for use as a detailing product for COREFLEX, ULTRA-SEAL and VOLTEX waterproofing membrane system applications. It is also used in conjunction with conventional thermoplastic sheet waterproofing membranes to provide a means of selfsealing in the event that the thermoplastic waterproofing membrane is punctured or otherwise compromised.

Typical applications include tunnels, under slabs, plaza decks, backfilled walls, and propertyline construction.

### INSTALLATION

Substrate surfaces should be clean and properly prepared to receive waterproofing. Install CORETEX SA13 per detail requirements with all adjacent roll edges overlapped a minimum 1.5" (37 mm).

CORETEX SA13 is typically secured by removing the release liner and pressing against the substrate. Once placed, a follow up application of roller pressure should be applied to uniformly adhere the the CORETEX SA13 to the substrate.

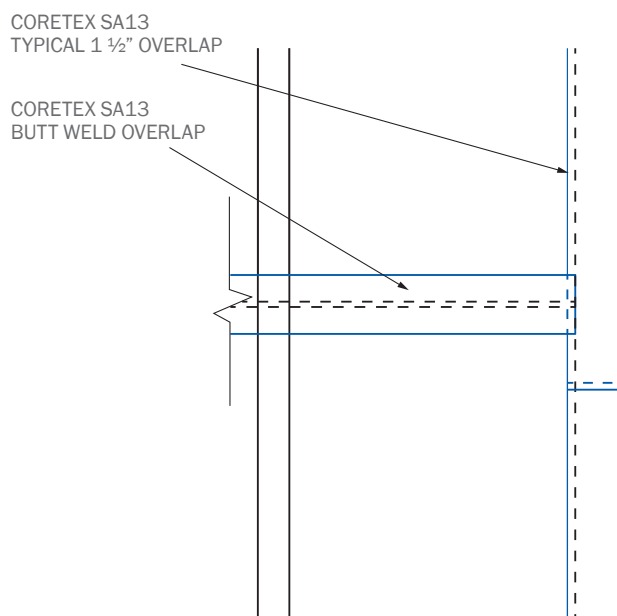
### PACKAGING

CORETEX SA13 is available in 11.5" x 30' rolls (288mm x 9.1 m). 2 rolls per box

### LIMITATIONS

CORETEX SA13 is a detailing product used in conjunction with a primary waterproofing material course. CORETEX is not intended to be used as a primary waterproofing course.

TYPICAL PROPERTIES		
PROPERTY	TEST STANDARD	TYPICAL VALUE
Permeability	ASTM D5887	(mod) $1 \times 10^{-10}$ cm/s
Thickness		95 mils
Roll width		11 1/2" (288 mm)
Roll length		30 ft (9.1 m)



North America: 847.851.1800 | 800.527.9948 | [www.cetco.com](http://www.cetco.com)

UPDATED: NOVEMBER 2017

© 2017 Minerals Technologies Inc. IMPORTANT: The information contained herein supersedes all previous printed versions, and is believed to be accurate and reliable. For the most up-to-date information, please visit [www.cetco.com](http://www.cetco.com). CETCO accepts no responsibility for the results obtained through application of this product. All products are sold on the understanding that the user is solely responsible for determining their suitability for the intended use and for proper use and disposal of the product. CETCO MAKES NO WARRANTY OF MERCHANTABILITY OR SUITABILITY FOR ANY PARTICULAR PURPOSE IN CONNECTION WITH ANY SALE OF THE PRODUCTS DESCRIBED HEREIN. CETCO reserves the right to update information without notice.

